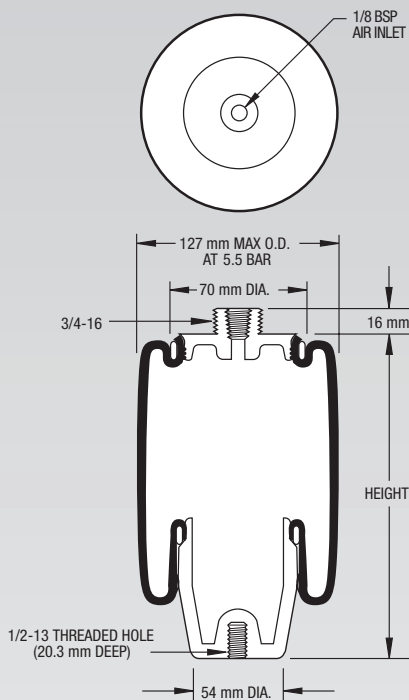


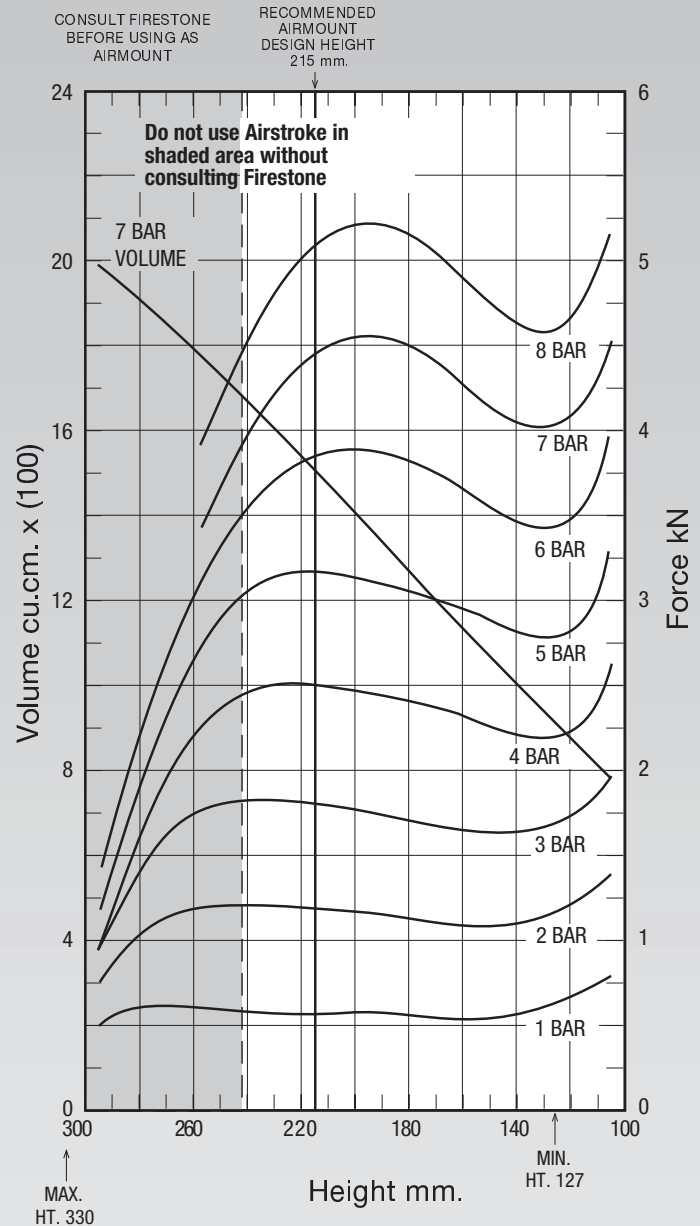
	Description	Assembly Order No.
Style 7012	Blind nut, 1/8 NPT	W02-358-7012
Two Ply Bellows		
Assembly weight82 kg.

NOTE: Standard assembly is imperial.



NOTE: Bellows will not compress properly with less than .7 BAR internal pressure.

Dynamic Characteristics at 215 mm Design Height (Required for Airmount isolator design only)			
Gauge Pressure (BAR)	Load (kN)	Spring Rate (kN/m)	Natural Frequency Hz
3	1.81	13	1.31
4	2.51	18	1.33
5	3.18	23	1.33
6	3.85	33	1.47
7	4.44	43	1.55



See page 12 for instructions on how to use chart.

Force Table (Use for Airstroke™ actuator design)							
Assembly Height (mm)	Volume @ 7 BAR (cu cm)	EFF Area @ 7 BAR (cm sq)	kN Force				
			@ 3 BAR	@ 4 BAR	@ 5 BAR	@ 6 BAR	@ 7 BAR
240	1676	56	1.83	2.45	3.06	3.52	3.94
220	1547	62	1.82	2.52	3.18	3.81	4.37
200	1409	65	1.77	2.48	3.15	3.89	4.56
180	1271	65	1.71	2.42	3.07	3.83	4.51
160	1134	61	1.65	2.33	2.97	3.67	4.30
140	1000	58	1.63	2.22	2.83	3.48	4.06